

# Baltic Sea Open 7.3.2015 Orimattila M21-81

Competitors: 8

## Competitors A

#	Name	Grade	Club	1	2	3	4	Wins	Pts	Pos
1	Tanner SAAR	1.kyu	EST/Audentese Spordiklub		5	10	1	3	16	1
2	German DURAN	2.kyu	EST/Põhjakohtkas			10	10	2	20	2
3	Saku INGET	1.kyu	FIN/Hämeenlinnan JS					0	0	4
4	Konsta HÄNNINEN	1.kyu	FIN/Pikadon, Pieksämäki			10		1	10	3

## Matches A

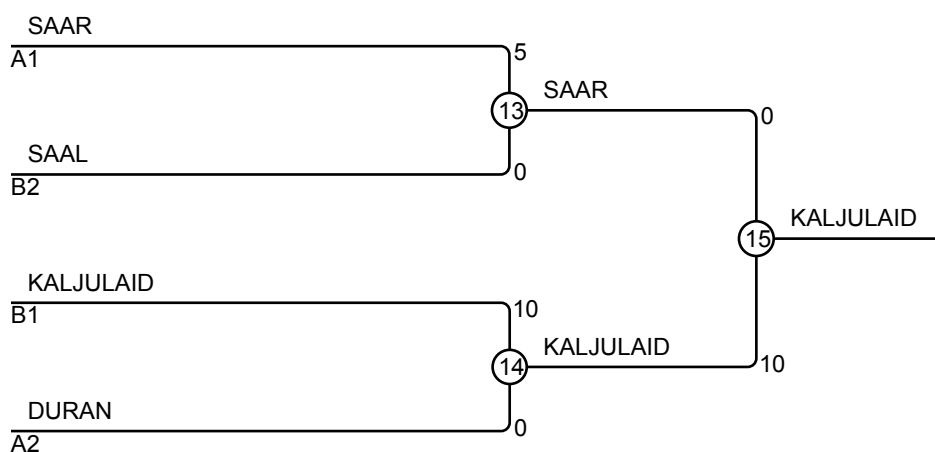
Match	White	Blue	Result	Time
1	Tanner SAAR 1	German DURAN 2	5 - 0	4:00
3	Saku INGET 3	Konsta HÄNNINEN 4	0 - 10	0:23
5	Tanner SAAR 1	Saku INGET 3	10 - 0	4:00
7	German DURAN 2	Konsta HÄNNINEN 4	10 - 0	1:05
9	Tanner SAAR 1	Konsta HÄNNINEN 4	1 - 0	4:00
11	German DURAN 2	Saku INGET 3	10 - 0	2:24

## Competitors B

#	Name	Grade	Club	5	6	7	8	Wins	Pts	Pos
5	Karl-Ernst SAAL	1.dan	EST/Altia			1	1	2	2	2
6	Klen Kristofer KALJULAID	1.dan	EST/Ookami	10		5	7	3	22	1
7	Aki OINONEN	1.dan	FIN/Hämeenlinnan JS					0	0	4
8	Victor ALLANSSON	1.dan	SWE/Östersunds Judoklubb			10		1	10	3

## Matches B

Match	White	Blue	Result	Time
2	Karl-Ernst SAAL 5	Klen Kristofer KALJULAID 6	0 - 10	0:45
4	Aki OINONEN 7	Victor ALLANSSON 8	0 - 10	0:53
6	Karl-Ernst SAAL 5	Aki OINONEN 7	1 - 0	4:00
8	Klen Kristofer KALJULAID 6	Victor ALLANSSON 8	7 - 0	4:12
10	Karl-Ernst SAAL 5	Victor ALLANSSON 8	1 - 0	5:38
12	Klen Kristofer KALJULAID 6	Aki OINONEN 7	5 - 0	4:00



## Results

Pos	Name
1	Klen Kristofer KALJULAID, EST/Ookami
2	Tanner SAAR, EST/Audentese Spordiklub
3	Karl-Ernst SAAL, EST/Altia
3	German DURAN, EST/Põhjakotkas