

Baltic Sea Open 5.3.2016 Orimattila B18-81

Competitors: 8

Competitors A

#	Name	Grade	Club	1	2	3	4	Wins	Pts	Pos
1	Alexandru HEREA	1.kyu	Turun Judoseura					0	0	4
2	Markus LAMBACKA	1.kyu	Koyama, Rovaniemi	10		10		2	20	1
3	Kalev VILLEM	2.kyu	Aitado	10			10	2	20	2
4	Jocelain WILLEMIN	1.dan	Pôle Espoir Bourgogn	10	7			2	17	3

Matches A

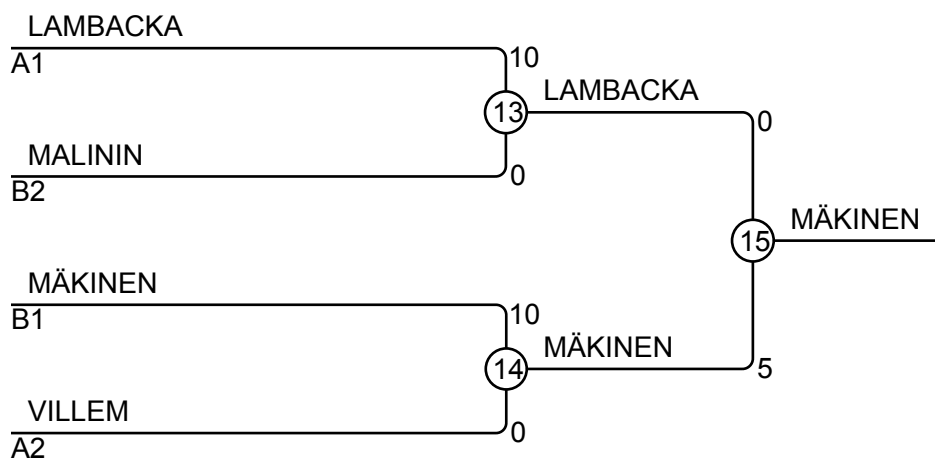
Match	White	Blue	Result	Time
1	Alexandru HEREA 1	Markus LAMBACKA 2	0 - 10	0:31
3	Kalev VILLEM 3	Jocelain WILLEMIN 4	10 - 0	2:02
5	Alexandru HEREA 1	Kalev VILLEM 3	0 - 10	1:31
7	Markus LAMBACKA 2	Jocelain WILLEMIN 4	0 - 7	3:00
9	Alexandru HEREA 1	Jocelain WILLEMIN 4	0 - 10	2:06
11	Markus LAMBACKA 2	Kalev VILLEM 3	10 - 0	0:46

Competitors B

#	Name	Grade	Club	5	6	7	8	Wins	Pts	Pos
5	Antti MÄKI	1.kyu	Turun Judoseura				10	1	10	3
6	Oskari MÄKINEN	1.dan	Nummelan Judo	10		10	10	3	30	1
7	Aleksandr MALININ	2.kyu	Budolinn	7			10	2	17	2
8	Joonas PAKSUNIEMI	2.kyu	Koyama, Rovaniemi					0	0	4

Matches B

Match	White	Blue	Result	Time
2	Antti MÄKI 5	Oskari MÄKINEN 6	0 - 10	0:27
4	Aleksandr MALININ 7	Joonas PAKSUNIEMI 8	10 - 0	0:53
6	Antti MÄKI 5	Aleksandr MALININ 7	0 - 7	3:00
8	Oskari MÄKINEN 6	Joonas PAKSUNIEMI 8	10 - 0	0:08
10	Antti MÄKI 5	Joonas PAKSUNIEMI 8	10 - 0	2:39
12	Oskari MÄKINEN 6	Aleksandr MALININ 7	10 - 0	1:26



Results

Pos	Name
1	Oskari MÄKINEN, Nummelan Judo
2	Markus LAMBACKA, Koyama, Rovaniemi
3	Aleksandr MALININ, Budolinn
3	Kalev VILLEM, Aitado