

Baltic Sea Open 5.3.2016 Orimattila M+100

Competitors: 6

Competitors A

| # | Name | Grade | Club | 1 | 2 | 3 | Wins | Pts | Pos |
|---|-------------------|-------|-----------------|---|----|----|------|-----|-----|
| 1 | Hennrich SILDVEER | 1.dan | Ookami | | 10 | 10 | 2 | 20 | 1 |
| 2 | Matas ŽIOGELIS | 1.kyu | Sport Club Ipon | | | | 0 | 0 | 3 |
| 3 | Juho PUUMALAINEN | 1.dan | Mikkelin Judo | | 10 | | 1 | 10 | 2 |

Matches A

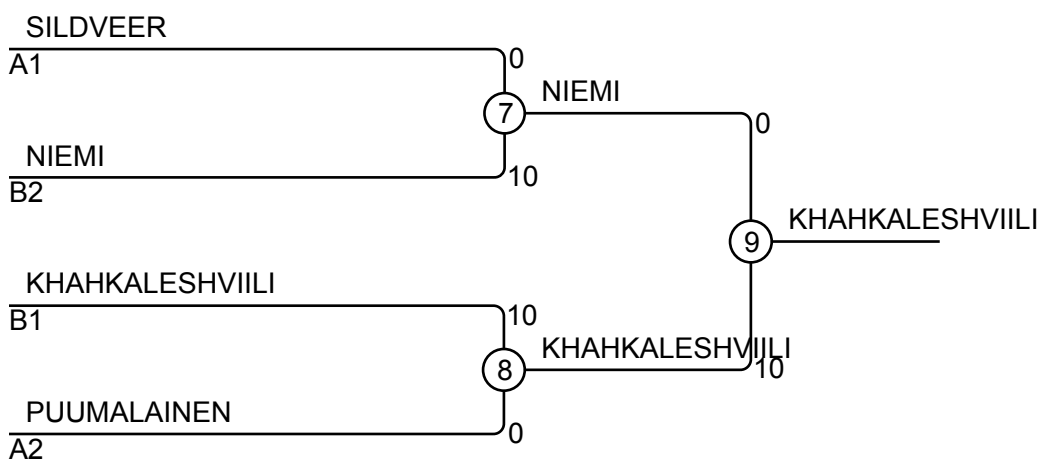
| Match | White | Blue | Result | Time |
|-------|--------------------------|------------------|--------|------|
| 1 | Hennrich SILDVEER 1 2 | Matas ŽIOGELIS | 10 - 0 | 0:53 |
| 3 | Hennrich SILDVEER 1 3 | Juho PUUMALAINEN | 10 - 0 | 1:44 |
| 5 | Matas ŽIOGELIS 2 3 | Juho PUUMALAINEN | 0 - 10 | 2:00 |

Competitors B

| # | Name | Grade | Club | 4 | 5 | 6 | Wins | Pts | Pos |
|---|------------------------|-------|--------------------|----|----|---|------|-----|-----|
| 4 | Mikko NIEMI | 1.dan | Turun Judoseura | | 10 | | 1 | 10 | 2 |
| 5 | Antti HANHIKOSKI | 1.kyu | Lappajärven Veikot | | | | 0 | 0 | 3 |
| 6 | Rustami KHAHKALESHVILI | 2.dan | Tarto Do | 10 | 10 | | 2 | 20 | 1 |

Matches B

| Match | White | Blue | Result | Time |
|-------|-------------------------|------------------------|--------|------|
| 2 | Mikko NIEMI 4 5 | Antti HANHIKOSKI | 10 - 0 | 0:13 |
| 4 | Mikko NIEMI 4 6 | Rustami KHAHKALESHVILI | 0 - 10 | 1:07 |
| 6 | Antti HANHIKOSKI 5 6 | Rustami KHAHKALESHVILI | 0 - 10 | 0:53 |



Results

| Pos | Name |
|-----|----------------------------------|
| 1 | Rustami KHAHKALESHVILI, Tarto Do |
| 2 | Mikko NIEMI, Turun Judoseura |
| 3 | Hennrich SILDVEER, Ookami |
| 3 | Juho PUUMALAINEN, Mikkelin Judo |