

Baltic Sea Championships 11.3.2017 Orimattila P18-50

Competitors: 8

Competitors A

#	Name	Grade	Club	1	2	3	4	Wins	Pts	Pos
1	Emile NOTEBAERT	1.kyu	FRA/Pole Bfc Judo		10	10	1	3	21	1
2	Leon SVALBERG	1.kyu	SWE/Stockholms Jk			10	1	2	11	2
3	Atte RANTALAINEN	3.kyu	FIN/Mikkelin Judo					0	0	4
4	Marcus SAKSLADU	3.kyu	EST/Audentese Spordiklubi			10		1	10	3

Matches A

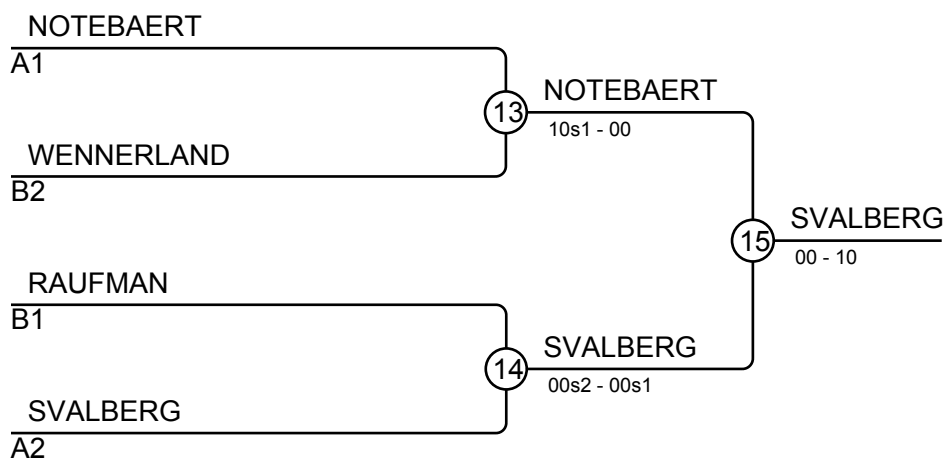
Match	White	Blue	Result	Time
1	Emile NOTEBAERT 1 2	Leon SVALBERG	10-00s1	2:14
3	Atte RANTALAINEN 3 4	Marcus SAKSLADU	00-10	1:25
5	Emile NOTEBAERT 1 3	Atte RANTALAINEN	11-00	1:59
7	Leon SVALBERG 2 4	Marcus SAKSLADU	01-00s1	3:00
9	Emile NOTEBAERT 1 4	Marcus SAKSLADU	01s1-00	3:00
11	Leon SVALBERG 2 3	Atte RANTALAINEN	11-00	1:00

Competitors B

#	Name	Grade	Club	5	6	7	8	Wins	Pts	Pos
5	Lucas PANDA	1.kyu	FRA/Pole Bfc Judo					0	0	4
6	Matteo MENARD	1.kyu	FRA/Pole Bfc Judo	1				1	1	3
7	Ofir RAUFMAN	1.kyu	ISR/Team Israel	1	10		10	3	21	1
8	Sean WENNERLAND	1.kyu	SWE/Åkersberga Jk	1	10			2	11	2

Matches B

Match	White	Blue	Result	Time
2	Lucas PANDA 5 6	Matteo MENARD	01-02s1	3:33
4	Ofir RAUFMAN 7 8	Sean WENNERLAND	10-00	4:07
6	Lucas PANDA 5 7	Ofir RAUFMAN	00-02	3:00
8	Matteo MENARD 6 8	Sean WENNERLAND	00s1-10	3:39
10	Lucas PANDA 5 8	Sean WENNERLAND	00-01	3:00
12	Matteo MENARD 6 7	Ofir RAUFMAN	00-10	0:00



Results

Pos	Name
1	Leon SVALBERG, SWE/Stockholms Jk
2	Emile NOTEBAERT, FRA/Pole Bfc Judo
3	Sean WENNERLAND, SWE/Åkersberga Jk
3	Ofir RAUFMAN, ISR/Team Israel